

FORMAX®

HERE BEGINS YOUR ULTIMATE VALUE

E(EV) Series
Single-phase Single
Hopper Loader

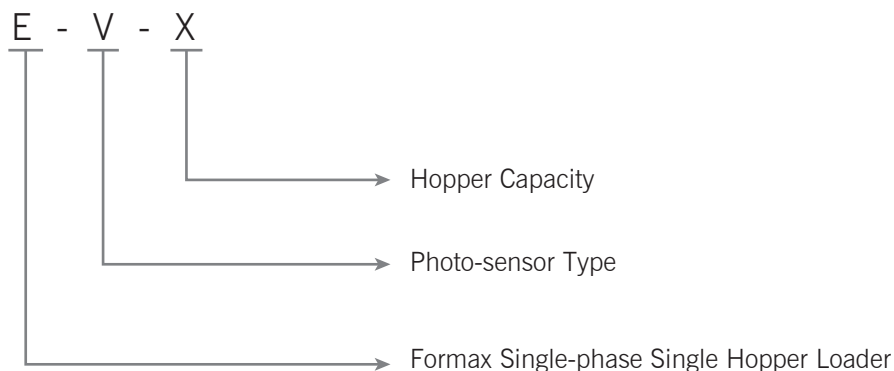
E6



Please read the brochure carefully before operation.

E(EV) Series Single-phase Single Hopper Loader

■ Coding Principle



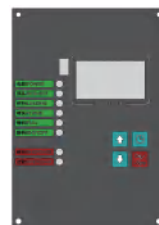
EV6

■ Features

- Adopt microprocessor and memory meter EPROM to save data permanently.
- LCD monitor is equipped with wireless control in 5 meters, or the user can operate on the control panel directly. E/EV series also have auto-cleaning function.
- E series adopt carbon brush motor which is high RPM, high air flow, small size, movable conveniently, and easy installation.
- Wire connection point for FPV.
- Hopper and bottom base are adjustable.
- E has a Proximity switch, while EV adopts photo-sensor switch with high sensitivity and stable quality.
- All models equipped with hinged hopper lid for clean easily.
- E3 has an OD. ϕ 235mm bottom base, E12&E12 has an OD. ϕ 295mm bottom base which can work with FHD-15kg and above models and FHD-100kg and below models.
- E series equipped with 100μ and 10μ double layers' filter and powerful filter cleaning device.
- Stainless steel structure.



Wireless Control

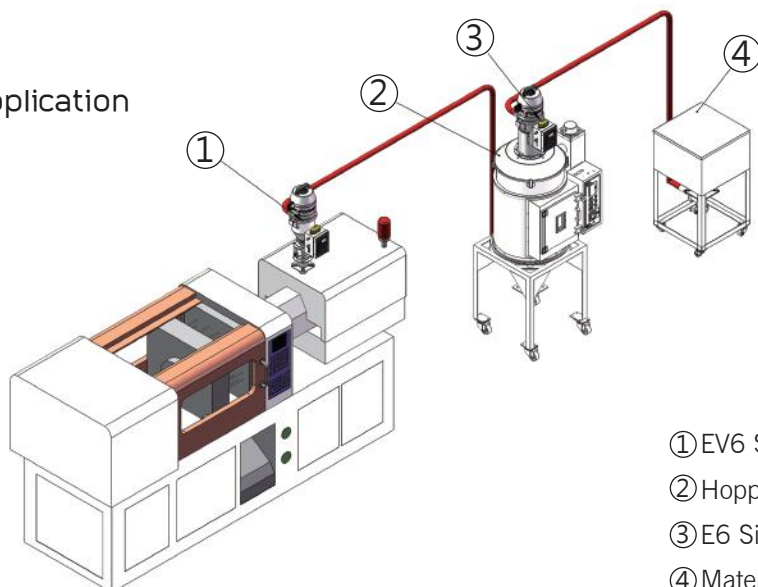


Control Panel



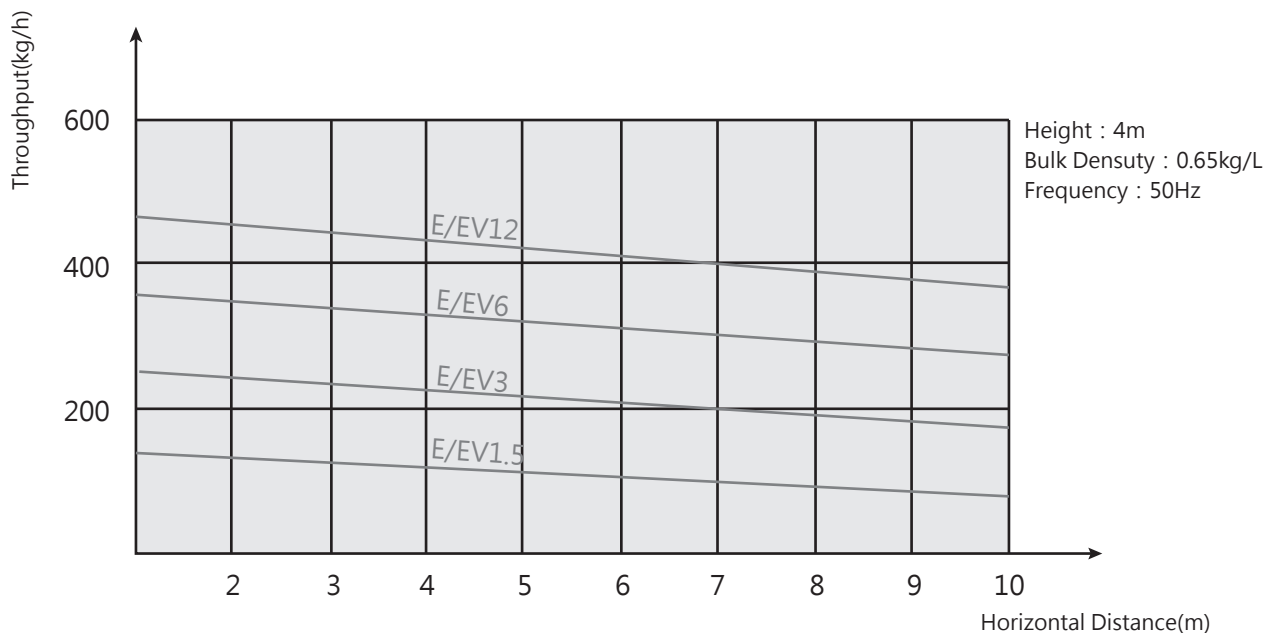
Powerful Filter Cleaning Device

■ Application

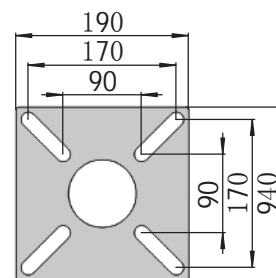
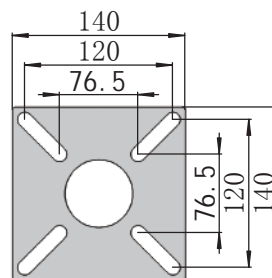
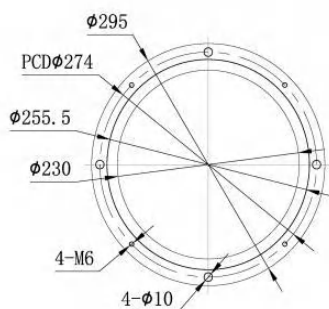
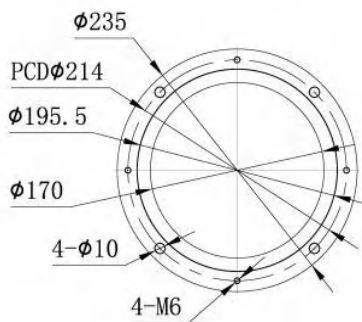
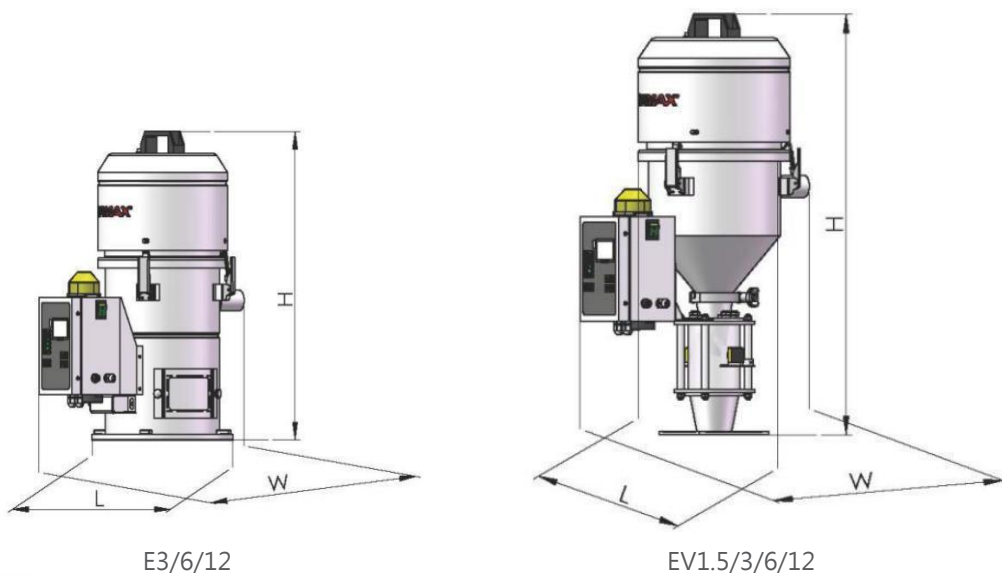


- ① EV6 Single-phase single hopper loader
- ② Hopper dryer
- ③ E6 Single-phase single hopper loader
- ④ Material storage tank

■ Loading Capacity



■ Outline Drawings



Bottom base of EV3/6

Bottom base of EV12

■ Specifications

Model		E3	E6	E12	EV3	EV6	EV12
Motor Power	kW	1.1	1.1	1.1	1.1	1.1	1.1
Tube Dia.	inch	1.5/2	1.5/2	1.5/2	1.5/2	1.5/2	1.5/2
Throughput	kg/hr	200	300	400	200	300	400
Hopper Capacity	Ltr	3	6	12	3	6	12
Sensor		Proximity sensor			Photo-sensor		
Voltage		1Ø · 230VAC · 50Hz					
Outline Dimensions							
L	MM	250	295	350	250	291	250
W		375	433	475	350	380	483
H		505	572	600	670	724	783
Net Weight	Kg	14	15.8	17	14.6	16.2	17

Note: 1) Test condition of throughput: plastic material of bulk density 0.65kg/L, dia. 3-5mm, vertical conveying height 4m, horizontal conveying distance 1m.
2) Compressed air: 4-6kgf/cm²

Specifications are subject to change without prior notice.

FORMAX®

China
Formax Plastics Automation, Inc.

Dongguan
No. 9, Taida Road, Chang'an Town, Dongguan City,
Guangdong Province, China
Tel. +86-769-3899-9898 Fax. +86-769-8533-3467

Kushan
No.138-20, Hengshan Road, Kunshan, Jiangsu, China
Tel. +86-512-5700-8308 Fax. +86-512-5700-8306

Taiwan
Formax Equipment Inc.

No.12, Ln.12, Anzhong st., Luzhu Dist.,
Taoyuan City, Taiwan
Tel. +886-3-2121-725 Fax. +886-3-2127-960

www.formaxpa.com
www.formax88.com



2024-10 All rights reserved.