

FORMAX[®]

HERE BEGINS YOUR ULTIMATE VALUE

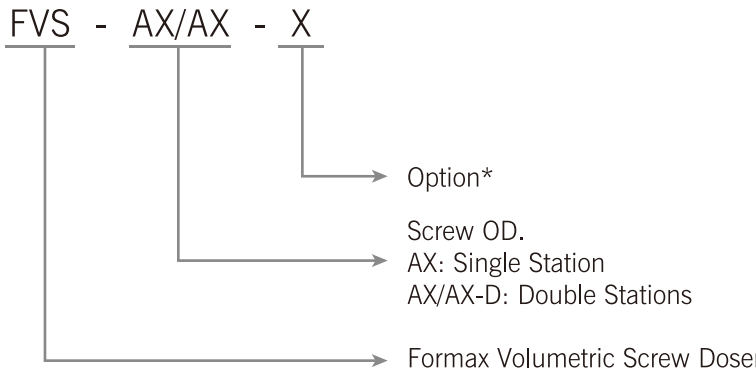
FVS Series
Volumetric Screw Doser

FVS-AX



Please read the brochure carefully before operation.

■ Coding Principle



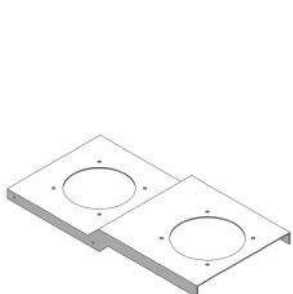
FVS-AX/AX-D-MX

Note*:

MX(MX6)=6L Mixer HT=High Torque Stepping Motor (for crushed materials)
HF=Heavy Base LS=Level Sensor SF=Support Bracket LV=Venturi Loader D=Double

■ Features

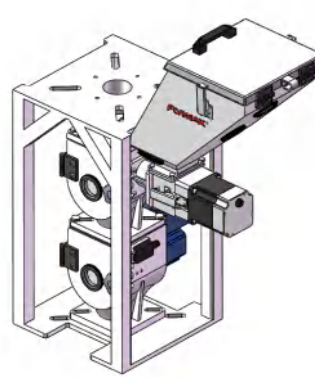
- Dosing screws are stainless steel for durability.
- Unit is comprised of standard modules for ease of cleaning disassembly and interchangeability.
- External Signals can be directly input to control box.
- Compulsory material cleaning makes it easier to replace master- batch.
- Applicable on extruder, just need to make a few wire replacements.
- RPM can be automatically adjusted according to extruder processing speed, which maintains the fixed proportion of master batch.
- 100 recipes are available for permanent recording of material discharging time and finished products weight (for extruder, it is max. throughput per minute).
- Using stepping motor and more accurate and stable.
- Based on customers' demand, mold cycles can be set to add additives periodically so that micro-metering can be achieved.
- Equipped with RS458 communication function.



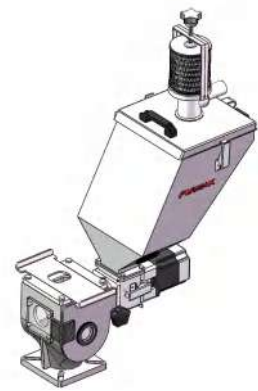
Support Bracket
(optional)



Heavy Base
(optional)



Heavy Base with Mixer
(optional)

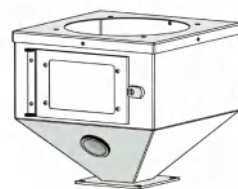


Venturi Loader
(optional)

Options

- HF heavy base is optional for using with FHD-100~FHD-300.
- Adding up to 4 kinds of master batch at most.
- High temperature doser FVS-PET is optional for applying to PET high temperature situation; the water runs in its cooling part must be room temperature water.
- MX mixer is for mixing materials evenly.
- MIH material intermediate hopper is for feeding main material.
- LS low level sensor can be opted to give an alarm when master batch is insufficient.
- Screw with diameter of 30mm can meet customers' requirements of large output.
- SF support bracket is for hopper loaders installed on the hopper of doser.

- LV venturi loader can satisfy consumers' request of small and easy loading device.



MIH-S18 (optional)



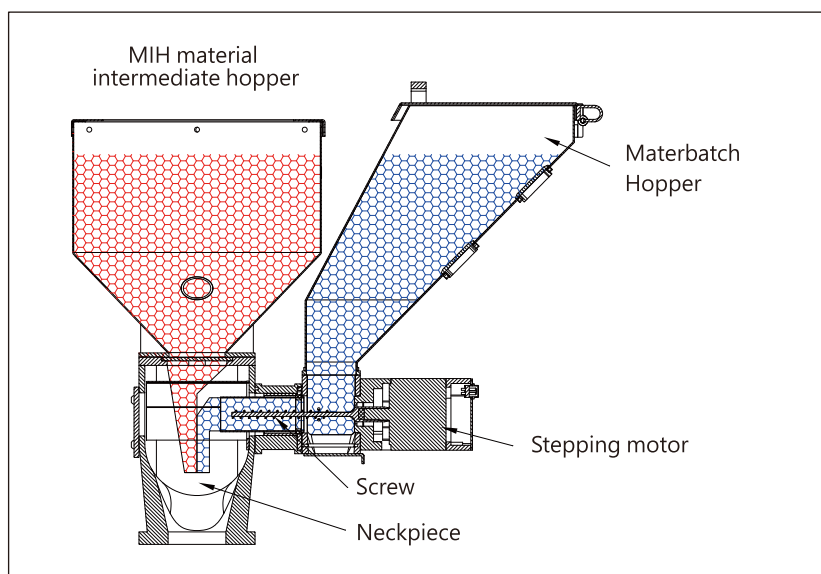
MIH-S24 (optional)

Application

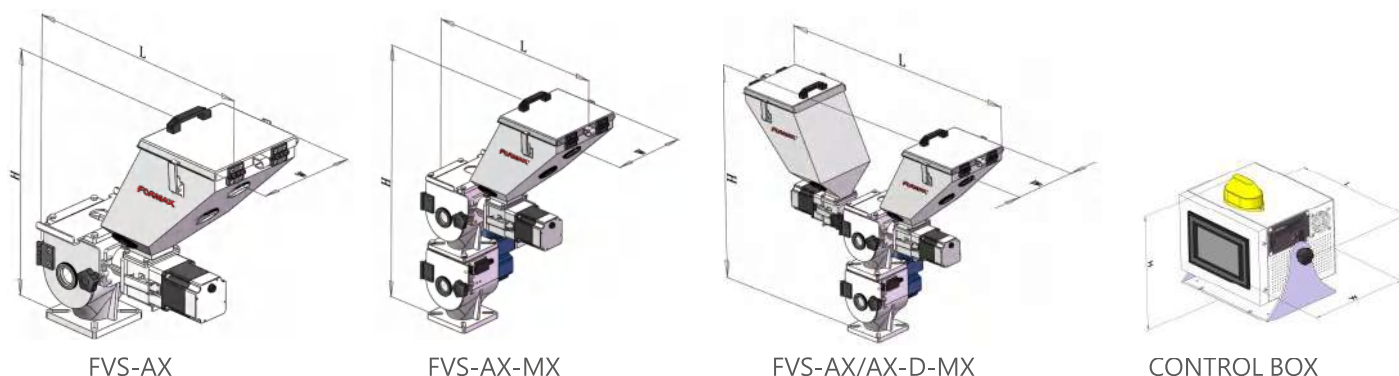
FVS series volumetric screw dosers are suitable for auto-proportional mixing of virgin materials, regrinds, master batch or additives. A stepping motor with 0~200RPM is coupled to a dosing screw of A5, A10, A15, A20 or A30 to give a total of five models with output ranging from 0.2~50kg/hr. Double-color dosers are available for collocating with any two of single color dosers if required. Five components automatic mixing can be realized if customers adopt four-color dosers.

Working Principle

Signals from control cabinet are sent to motor, and then motor begins to work. The rotary force is transferred to the dosing screw through shaft connector. Color additives in hopper fall into the groove of conveying screw, then are taken to hopper base by rotating action of the screw.



■ Outline Drawings



■ Specifications

Model		FVS-A5	FVS-A10	FVS-A15	FVS-A20	FVS-A30	FVS-A45
Stepping Motor Power	kW	0.2					
Rotation Speed	rpm	1~200					
Screw OD	mm	20				30	45
Sleeve ID.	mm	30				46	55
Max. Output	kg/hr	0.2~10	0.5~16	1~26	1.5~34	3.6~88	5~130
Master-batch Hopper Capacity	Ltr	10					
Main Material Hopper Capacity	Ltr	(MIH-S18/24 as optional)					
Mixing Motor Power	kW	0.09 (Optional)					
Mixing Chamber	Ltr	3L or (6L as optional)					
Voltage		1Ø,220VAC · 50/60Hz					
Outline Dimensions							
L	mm	582					
W		278/459 (With Mixer)					
H		551/711 (With Mixer)					
Net Weight	kg	30/35 (With Mixer)					

Note: 1) The output capacity depends on model selected, date of the single color doser can be a reference.

2) The external diameter of screw is up to model selected.

3) For additional mixer, add "MX" at the end of model code.

4) All output capacities of above models are based on data from bulk density 0.65kg/L, dia. 2~3mm master batch in a test criteria of continuous running.

5) High torque stepping motor is for adding regrind/recycled materials.

Specifications are subject to change without prior notice.

FORMAX®

China

Formax Plastics Automation, Inc.

Dongguan

No. 9, Taida Road, Chang'an Town, Dongguan City,
Guangdong Province, China

Tel. +86-769-3899-9898 Fax. +86-769-8533-3467

Kushan

No.138-20, Hengshan Road, Kunshan, Jiangsu, China

Tel. +86-512-5700-8308 Fax. +86-512-5700-8306

Taiwan

Formax Equipment Inc.

No.12, Ln.12, Anzhong st., Luzhu Dist.,
Taoyuan City, Taiwan

Tel. +886-3-2121-725 Fax. +886-3-2127-960

www.formaxpa.com
www.formax88.com



2024-8 All rights reserved.