

**FORMAX**®

HERE BEGINS YOUR ULTIMATE VALUE

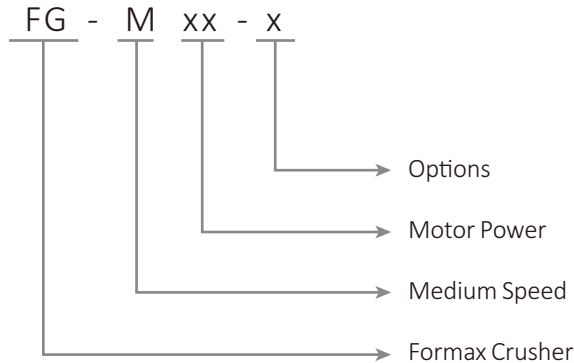
**FG-M** Series  
Medium Speed Crusher

FG-M50PR



Please read the brochure carefully before operation.

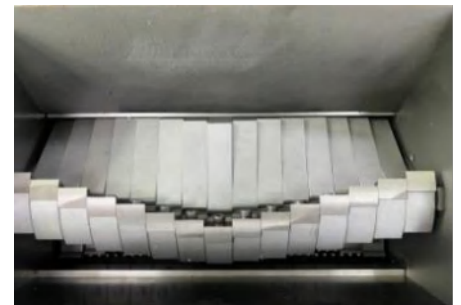
### ■ Coding Principle



FG-M30

### ■ Features

- Adopt brand gear motor that features stable performance, long service life and large torque.
- The gearbox directly drives the blade shaft for granulation, thus saving time for belt tension adjustment and maintenance.
- Staggered blades adopt V-type cutting technology, which pushes the feeding material into the center of the cutting rotor to prevent the material from adhering to the inner side of the cutting chamber while enhancing its durability.
- Unique staggered shape with double edge design allows the cutters to be mounted directly without clearance adjustment and maintain a fixed cutting curve and clearance after wear, which can significantly reduce the downtime for cutter disassembly and assembly.
- The staggered blade can be capsized if one side is blunt, and the fixed blade can be reshaped after being reused four times, thus enhancing the cutter's durability.
- Optimal design can effectively reduce vibration during the operation of the granulator.
- The soundproof feed box is made of double-layer stainless steel and with visual window.
- FG-M are equipped with castor wheels. They have a small footprint and are easy to move.



Cutting Chamber

### ■ Cutter & Controller



Staggered Blade



Standard Controller



CE Controller



PR&VR  
Energy-Save Controller

## ■ Application

FG-M Medium Speed Cursher is applicable to instant or tiny amounts of granulating of hard and long or solid and flexible sprues. It features a small size, low speed, wear resistance, and ultra silence The low-speed structure produces an even regrind size and less dust than the previous design. Just a few quick and simple steps to clean residues from the unit.

Simple control and user-friendly make it easy to use. Besides, multiple options are available to meet different production processes and specific demands.

## ■ Options

### - Standard screen

Standard screen is  $\phi 6$ , in addition,  $\phi 4$ ,  $\phi 5$ ,  $\phi 7$ ,  $\phi 8$ ; Users can choose according to their own needs.



### - Special screen

Slant hole screen which is especially for the filtering of long strips, the standard hole is 6mm, optional can be met by demands.



### - Manual collection bin

The manual collection bin is convenient for regrind recycling and storing.



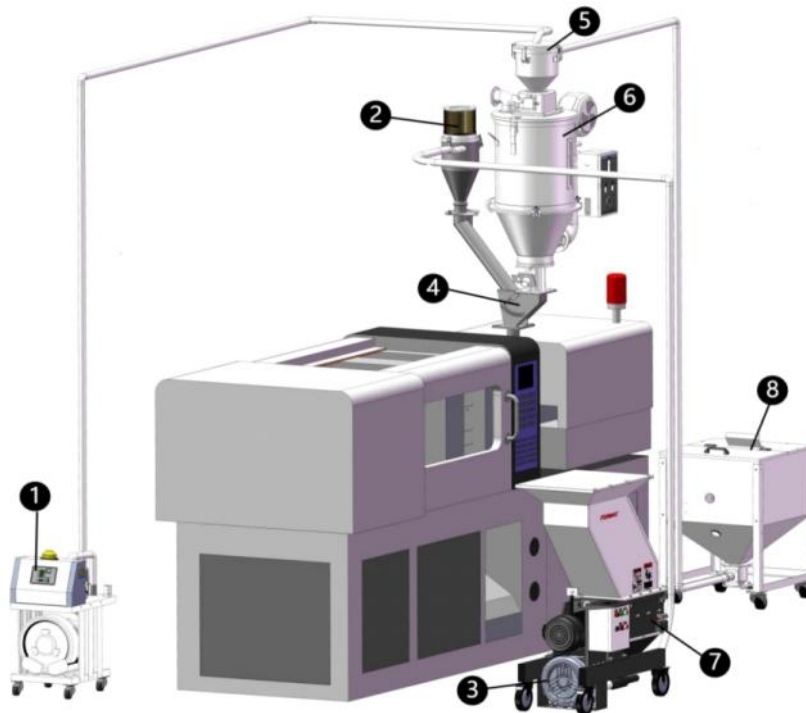
### - Proportional distributor+ Cyclone

Equipped with recycling, through the high pressure blower or venturi generator, the regrind is delivered into cyclone then dropped into distributor.



- PR Type - Instant Recycling System

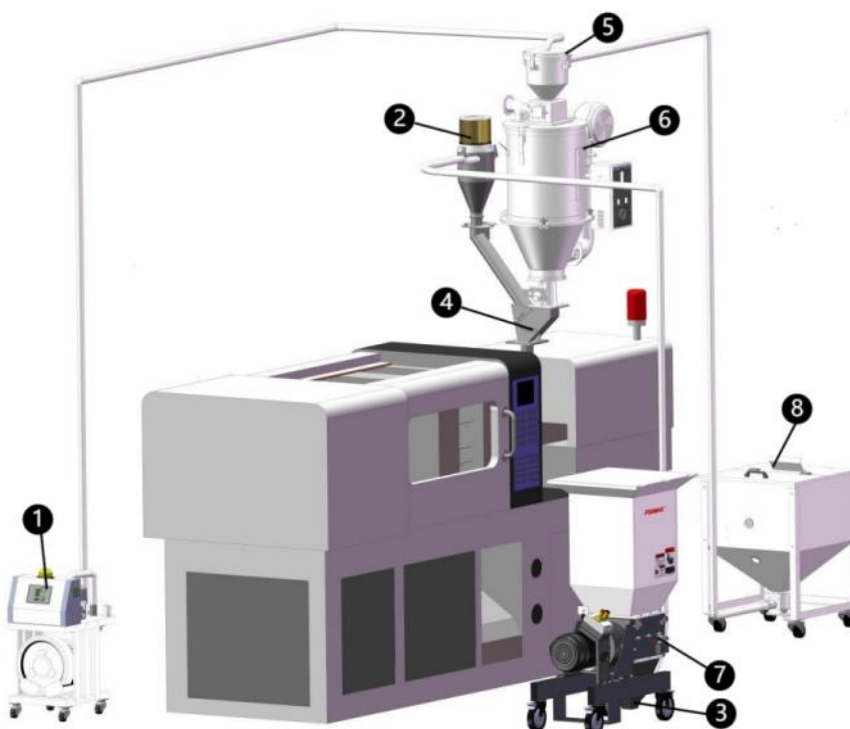
PR Type Instant Recycling System utilizes the pulverized material in the collection bin can be easily sent to the cyclone separator using a high-pressure blower. Then through the proportional distributor after reuse, so that the sprues will not have physical properties and color changes due to oxidation and humidification, thus improving the products quality.



- 1. Single Hopper Loader
- 2. Cyclone Separator
- 3. High Pressure Blower
- 4. Proportional Distributor
- 5. Hopper Loader
- 6. Hopper Dryer
- 7. Medium Speed Crusher
- 8. Material Storage Tank

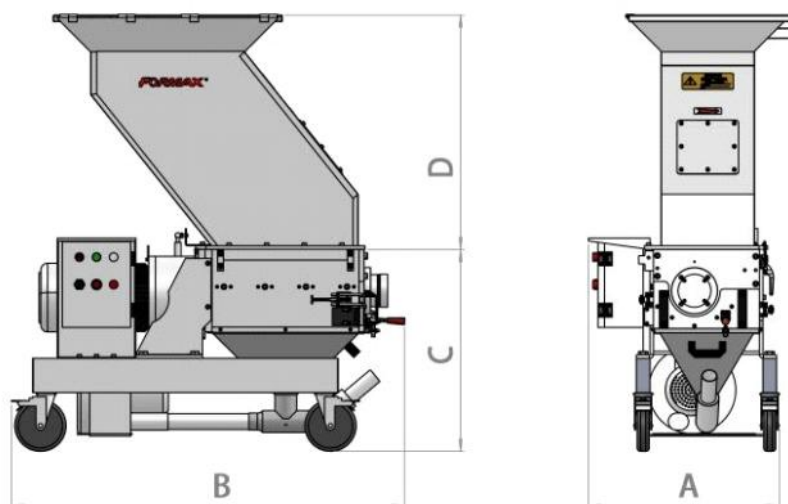
- VR Type - Instant Recycling System

VR Type Instant Recycling System utilizes the pulverized material in the collection bin can be easily transported to the cyclone using a negative pressure generator to feed the cassette pulverized materia, Then through the proportional distributor after reuse, so that the sprues will not have physical properties and color changes due to oxidation and humidification, thus improving the products quality.



- 1. Single Hopper Loader
- 2. Cyclone Separator
- 3. Venturi Generator
- 4. Proportional Distributor
- 5. Hopper Loader
- 6. Hopper Dryer
- 7. Medium Speed Crusher
- 8. Material Storage Tank

## ■ Outline Drawings



## ■ Specifications

Model	FG-M	FG-M20	FG-M30	FG-M50	
Motor Power	KW/HP	1.5/2	2.2/3	3.7/5	
Roating Speed	rpm	140	140	140	
Materiale of Cutters		CR12MOV	CR12MOV	CR12MOV	
No. of Staggered Blades	pcs	8	10	15	
Cutting Chamber	mm	237*275	290*275	430*275	
Feed Box Inlet	mm	520*470	520*470	650*470	
Throughput Capacity	KG/H	25	40	60	
Nosie Level	db	≈85	≈90	≈90	
Blade Structure		Staggered Blades			
Dimension	A	mm	560	560	560
	B	mm	815	885	1050
	C	mm	585	585	585
	D	mm	700	700	700
Weight	KG	185	192	265	

Notes: 1)Max. Capacity of the machine is subject to the size and compositon of the material.

2)Noise level varies according to different granules.

3)To avoid plastic from sticking to the blades,all materials should be crushed at normal temperature.

4)Power Supply: 3φ,400VAC,50Hz

Specifications are subject to change without prior notice.

# FORMAX®

China

**Formax Plastics Automation, Inc.**

Dongguan

No. 9, Taida Road, Chang'an Town, Dongguan City,

Guangdong P rovince, China

Tel. +86-769-3899-9898 Fax. +86-769-8533-3467

Kushan

No.138-20, Hengshan Road, Kunshan, Jiangsu, China

Tel. +86-512-5700-8308 Fax. +86-512-5700-8306

Taiwan

**Formax Equipment Inc.**

No.12, Ln.12, Anzhong st., Luzhu Dist.,

Taoyuan City, Taiwan

Tel. +886-3-2121-725 Fax. +886-3-2127-960

[www.formaxpa.com](http://www.formaxpa.com)

[www.formax88.com](http://www.formax88.com)



2024-8 All rights reserved.