

FORMAX®

HERE BEGINS YOUR ULTIMATE VALUE

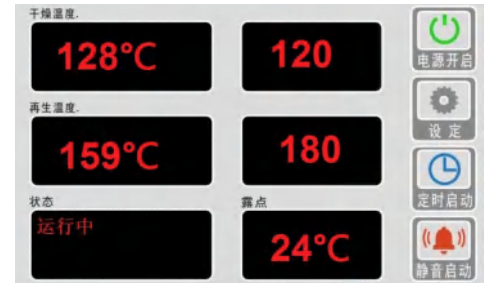
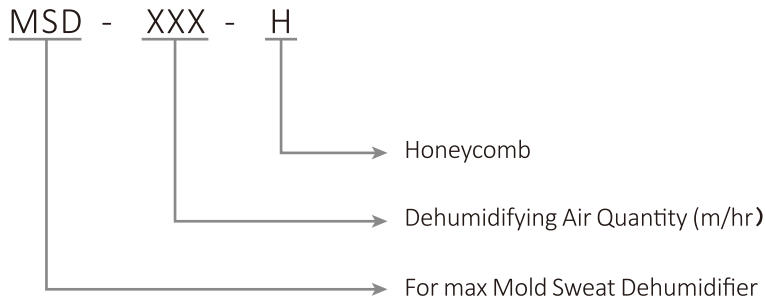
MSD Series
Mold Sweat
Dehumidifer

MSD-1000-H



Please read the brochure carefully before operation.

■ Coding Principle



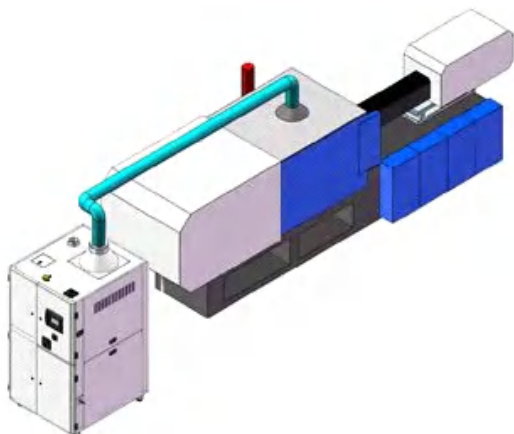
Control Panel

■ Features

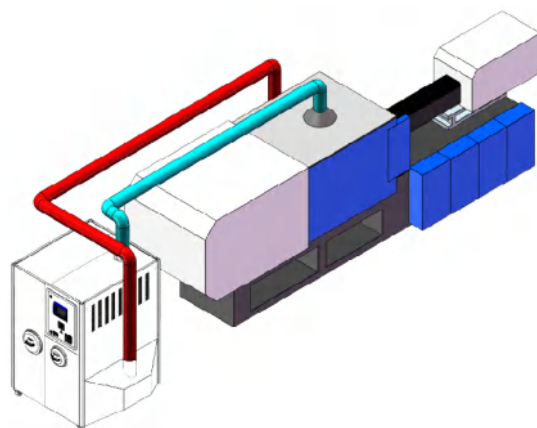
- MSD-1000-H adopts 4.3" color touch panel for simple and intuitive operation.
- MSD-1000-H and above adopts P.I.D. temperature control system can set regenerative temp. and have display screen of actual temp.
- Honeycomb rotor is used to ensure constant air dehumidifying effect.
- With main power switch, it ensures safety of operation and maintenance
- Motor overload and phase reverse alarm functions are provided Return air cooling and filtering are provided.
- Under normal atmospheric conditions, the air humidity can be controlled precisely all year round.
- Prolong service life of mold reduce corrosion and yet reduce product flaws and defective product rate
- Cooler is standard equipped at the drying air outlet which can adjust the temperature of outlet air.
- It has water auto-drainage function which can remove the condensed water out of the machine.

■ Application

MSD series mould sweat dehumidifiers are designed to remove moisture sweat from condensing on mold surface. Moisture condensation on the mold surface is due to the use of chilled water for reducing molding cycle time, particularly while molding PET preform. When mold surface temperature is lower than dew-point temperature of surrounding air the Water vapor comes into being which leads to moisture condensation, and then affect product quality and production efficiency as well as bring corrosion to them old surface and cause environmental pollution. This series of machine uses honeycomb rotor to carry out dehumidifying function, which provides constant low dew-point drying air for the molding machine. It greatly reduces the reject ratio by making mold out from moisture condensation.



Open-loop AIE CIRCULATION



CLOSED-LOOP Air circulation

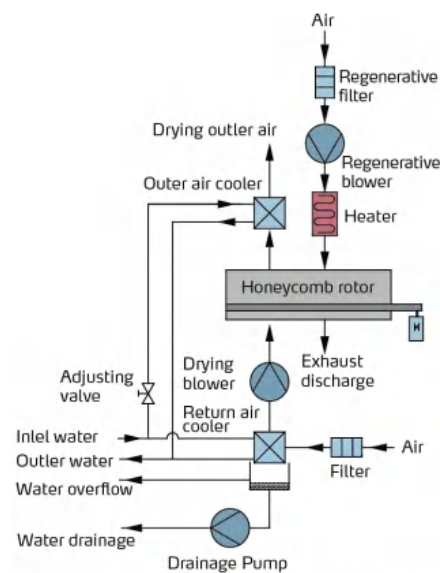
Options

- Detachable return air collector is optional to achieve closed-loop circulation which is suitable for high humidity areas. Add "R" at the end of the model code
- Optional dew-point monitor add "D" at the end of the model code

Working principle

The large amount of air created by centrifugal blower will be directly blown to the models of IMM after being moisture absorbed by rotatory honeycomb and becoming dry air of low dew-point. Then air discharges through air outlet of mold closing chamber and returns to mold sweat dehumidifier through return air pipe. In this way a circle finished.

The air around mold is very dry with dew-point no higher than 5°C. Environmental temperature drops fast during the rapid mold cooling but temp. will not fall to 5°C. Therefore, dewdrop will not come into being during mold rapid-cooling, which ensures product quality.



■ Specifications

Model	Regen Heater (KW)	Regen Blower (KW)	Process Blower	Process Flow. (m ³ /hr)	Pipe dia.of dry air (inch)	Pipe dia.of regeneration air (inch)	Water Connection	Ave Process Air Temperature (°C)	Dew-point Temp (°C)	Cooling Water Flow. (L/W)
MSD-1000H	12	0.25	1.1	1000	8	4	1"PT (Female)	≤16	-10~+5	≥100
MSD-2000H	24	0.55	2.2	2000	10	6	1"PT (Female)	≤16	-10~+5	≥150
MSD-3000H	32	0.75	3	3000	10	6	2"PT (Female)	≤16	-10~+5	≥190

Model	Hydraulic Pressure Kgf/cm ²	Outline Drawings (L*W*H)	weight (Kg)
MSD-1000H	1~5	1100x960x1940	321
MSD-2000H	1~5	1295x1130x2410	580
MSD-3000H	1~5	1295x1225x2775	700

Notes:

- 1) Noise level ≤90dB(A)
- 2) Condition for Open-loop application: Ambient dry bulb temp.s30°C relative moistures70%.
- 3) Cooling water required temp.7C
- 4) Power supply: 3 φ 230/400/460/575VAC, 50/60Hz

Product specifications are subject to change without prior notice

FORMAX®

China
Formax Plastics Automation, Inc.

Dongguan
No. 9, Taida Road, Chang'an Town, Dongguan City,
Guangdong Province, China
Tel. +86-769-3899-9898 Fax. +86-769-8533-3467

Kushan
No.138-20, Hengshan Road, Kunshan, Jiangsu, China
Tel. +86-512-5700-8308 Fax. +86-512-5700-8306

Taiwan
Formax Equipment Inc.

No.12, Ln.12, Anzhong st., Luzhu Dist.,
Taoyuan City, Taiwan
Tel. +886-3-2121-725 Fax. +886-3-2127-960

www.formaxpa.com
www.formax88.com



2022-12 All rights reserved.