

**FORMAX**®

HERE BEGINS YOUR ULTIMATE VALUE

## All Series Hopper loaders



E6



S6



C6

Please read the brochure carefully before operation.

# INDEX

---

02 E Type Series Hopper Loaders

04 SG Type Series Hopper Loaders

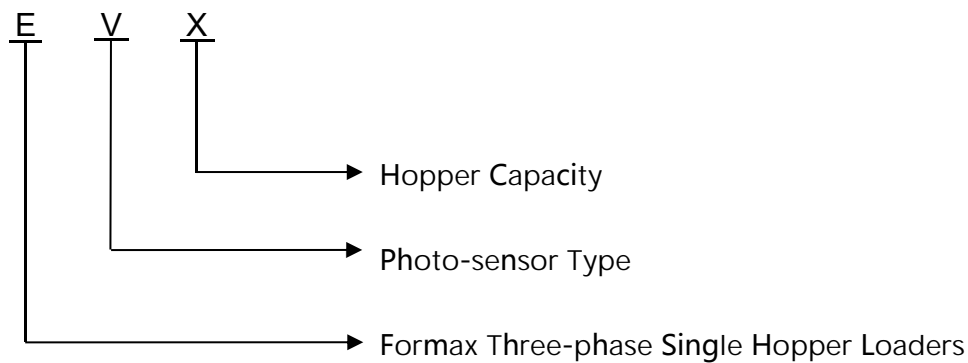
06 S Type Series Hopper Loaders

08 C Type Series Hopper Loaders

10 MIH Series Intermediate Hoppers

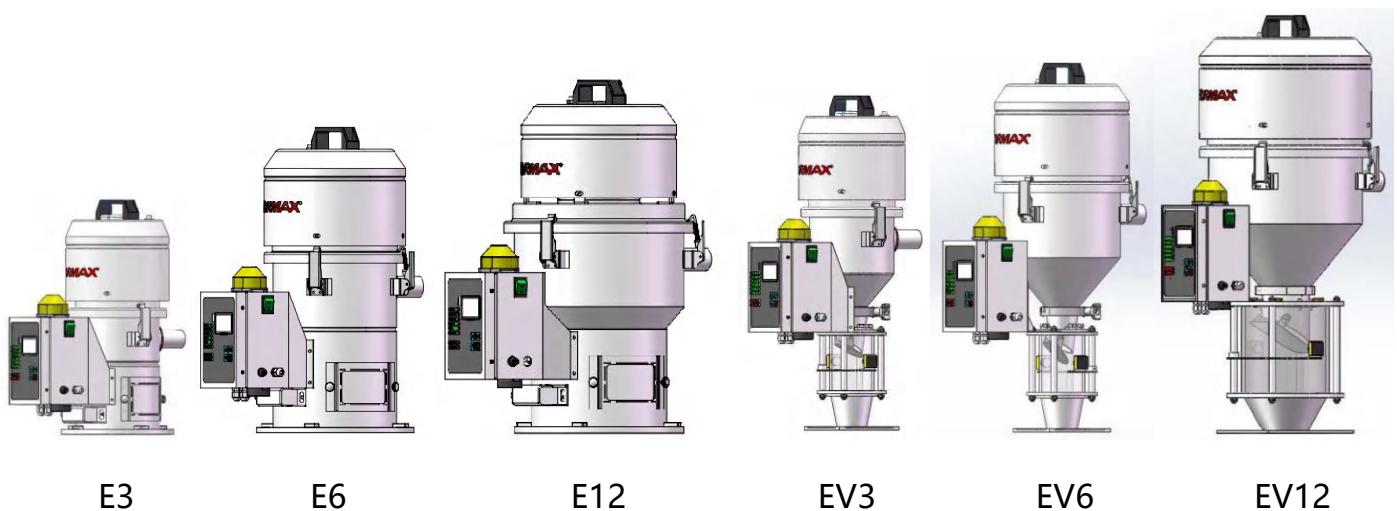
# E Type Series Hopper Loaders

## ■ Coding Principle



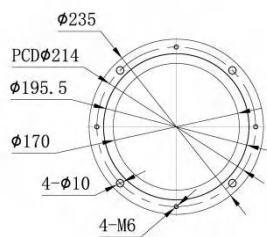
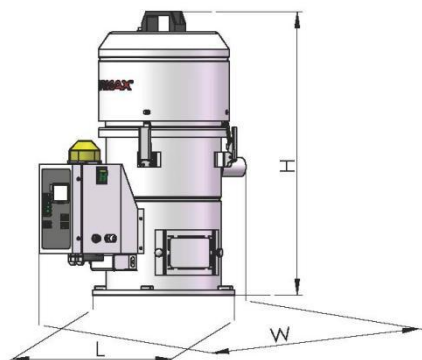
## ■ Features

- The carbon brush vacuum motor is designed directly on the top of the hopper, which is compact and easy to install.
- High-density filter material with powerful spray clearing device.
- The hoppers have independent control functions and are easy to operate with a unique infrared remote control.
- E type hopper loader suitable for installation in Formax drying hopper, storage tanks or other containers.
- E-V type equipped with glass vision, suitable for installation in the inlet of molding machine, can guarantee that the hopper does not lack material during the suction process.
- The hopper is made of stainless steel to ensure that raw materials are not contaminated.

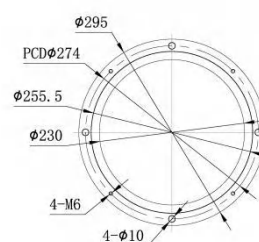


# E Type Series Hopper Loaders

## ■ Outline Drawings

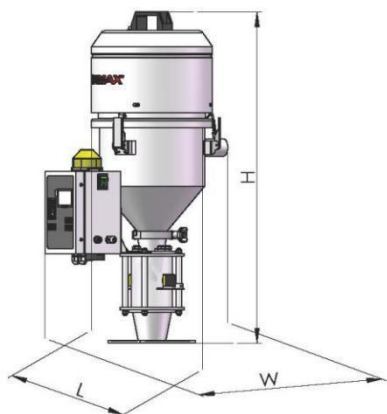


3 Liter



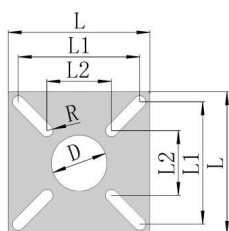
6/12Liter

## ■ Specifications



Hopper				Air Suction Pipe Dia. (inch)
Model	Hopper Capacity (L)	Dimensions ( L*W*H ) mm	Weight(kg)	
E3	3	250*375*505	14	1.5
EV3		250*350*670	14.6	
E6	6	295*433*572	15.8	1.5
EV6		291*380*724	16.2	
E12	12	350*475*600	17	1.5
EV12		350*483*783	17	

## ■ V-glass Vision Type Base Mounting Size

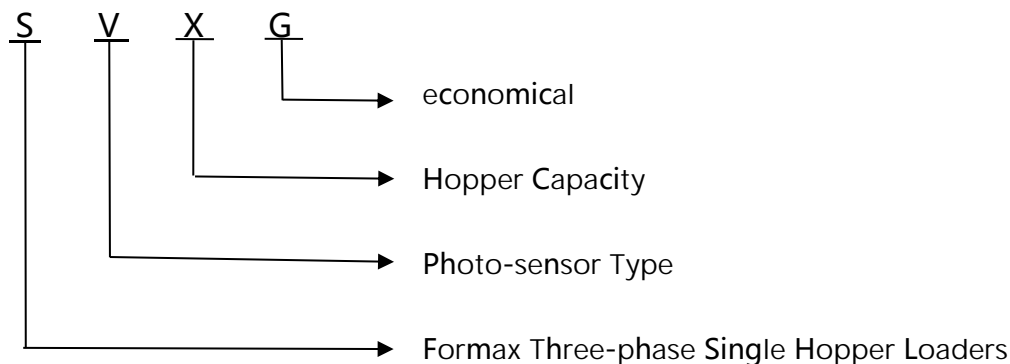


BASE

Model	L ( mm )	L1(mm)	L2(mm)	D(mm)	R(mm)
EV3	140	120	76.5	55	6.5
EV6	140	120	76.5	55	6.5
EV12	190	170	90	80	6.5

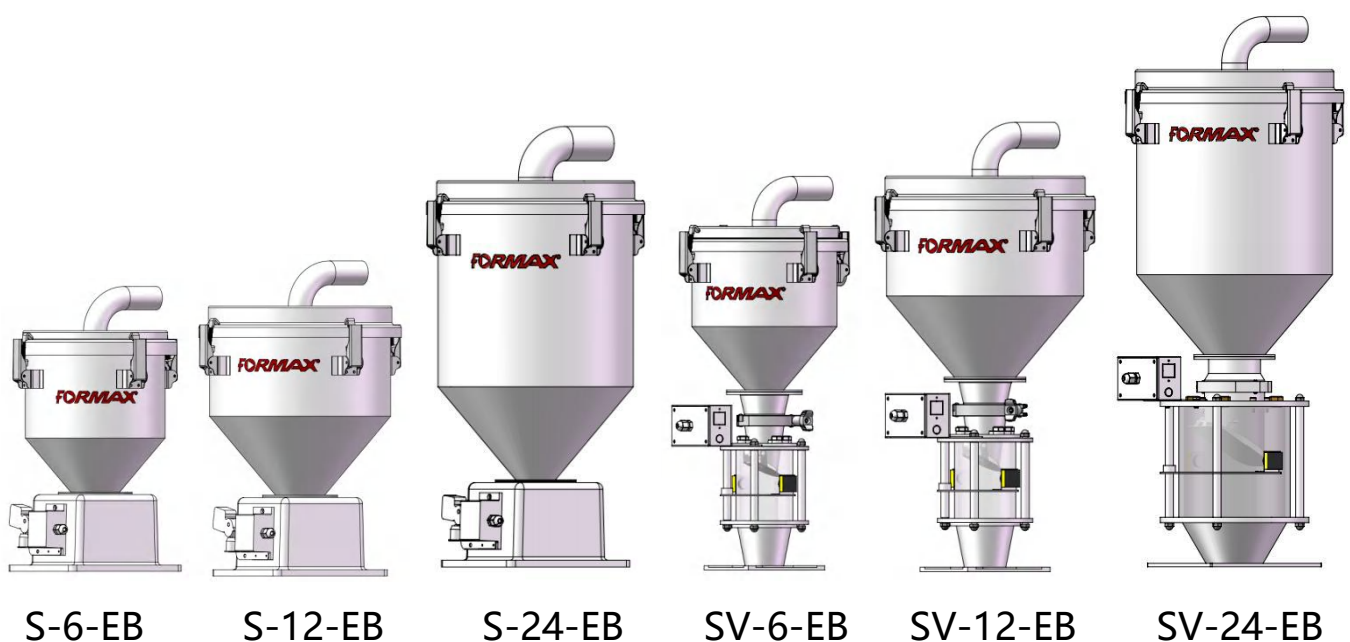
# SG Type Series Hopper Loaders

## ■ Coding Principle



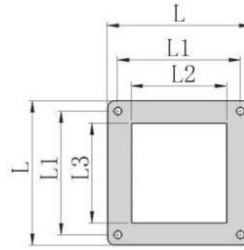
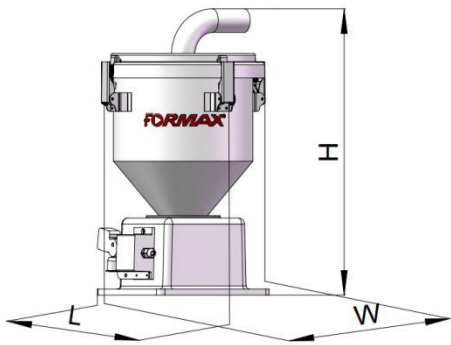
## ■ Features

- This series of products is mainly used for M-G type three-phase single hopper loader and FCD compact dryer
- S-G type three-phase single hopper loader suitable for installation in Formax drying hopper, storage tanks or other containers.
- S-VG type equipped with glass vision, suitable for installation in the inlet of molding machine, can guarantee that the hopper does not lack material during the suction process.
- The hopper is made of stainless steel to ensure that raw materials are not contaminated.
- Standard equipped with steel wire mesh of filter.



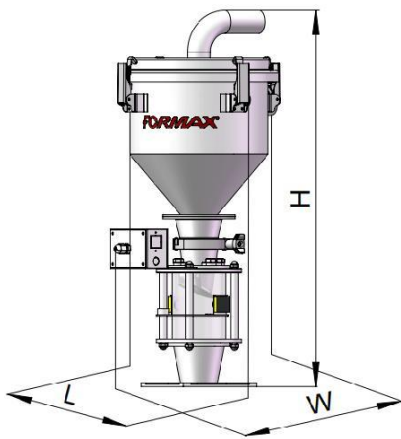
# SG Type Series Hopper Loaders

## ■ Outline Drawings



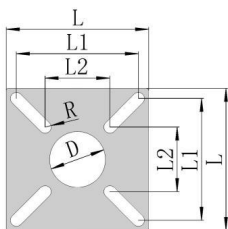
BASE

## ■ Specifications



Hopper				Material Tube Dia (inch)	Air Suction Pipe Dia. (inch)
Model	Hopper Capacity (L)	Dimensions (L*W*H) mm	Weight(kg)		
S-6G	6	265*322*463	6	1.5	1.5
SV-6G		300*340*620	8.3	1.5	1.5
S-12G	12	324*385*502	7.5	1.5/2	1.5/2
SV-12G		360*380*660	9.3	1.5/2	1.5/2
S-24G	24	324*385*650	9	2	2
SV-24G		360*390*820	11	2	2

## ■ V-glass Vision Type Base Mounting Size

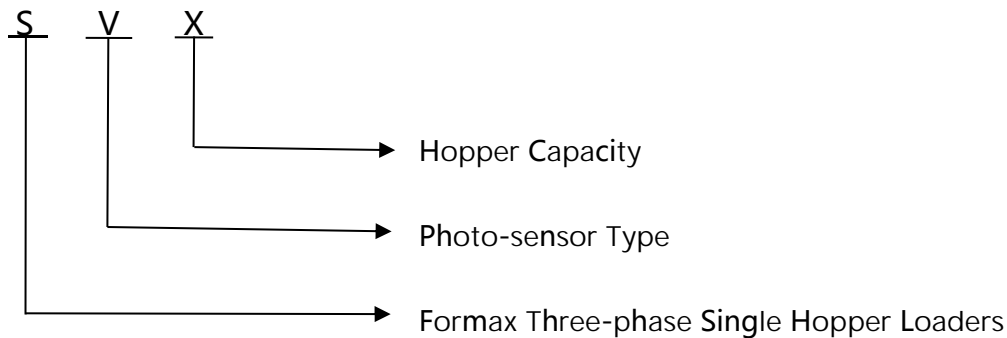


BASE

Model	L (mm)	L1(mm)	L2(mm)	L3(mm)	D(mm)	R(mm)
S-6G	210	180	145.5	139.5		
SV-6G	140	120	76.5		55	6.5
S-12G	210	180	145.5	139.5		
SV-12G	140	120	76.5		55	6.5
S-24G	210	180	145.5	139.5		
SV-24G	190	170	90		80	6.5

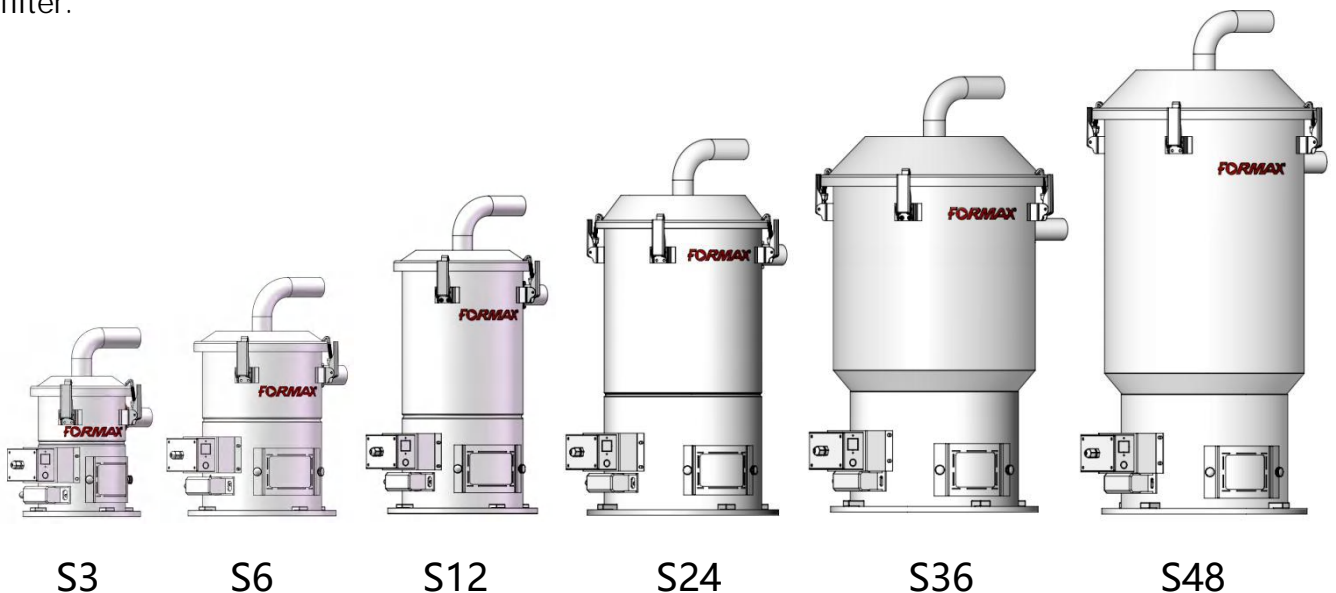
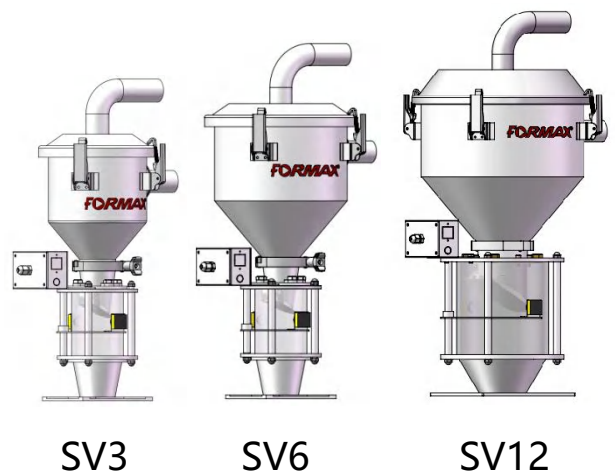
# S Type Series Hopper Loaders

## ■ Coding Principle



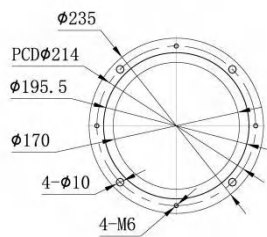
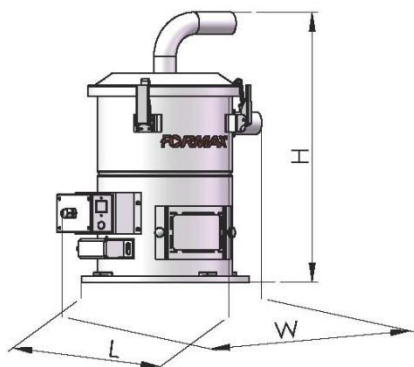
## ■ Features

- This series of products is mainly used for S-V type three-phase single hopper loader and FCD compact dryer.
- S type three-phase single hopper loader suitable for installation in Formax drying hopper, storage tanks or other containers.
- S-V type equipped with glass vision, suitable for installation in the inlet of molding machine, can guarantee that the hopper does not lack material during the suction process.
- The hopper is made of stainless steel to ensure that raw materials are not contaminated.
- Standard equipped with steel wire mesh of filter.

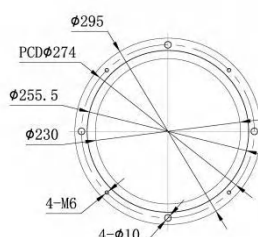


# S Type Series Hopper Loaders

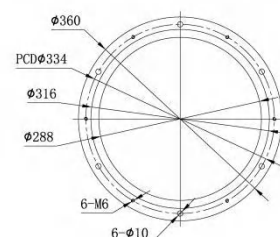
## ■ Outline Drawings



3 Liter

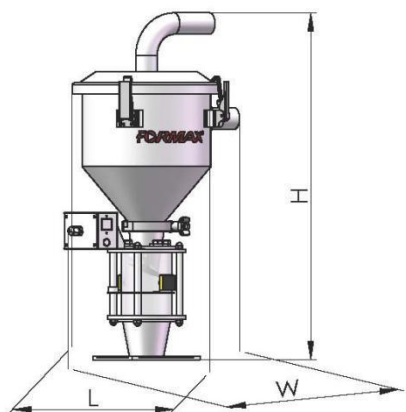


6/12 Liter



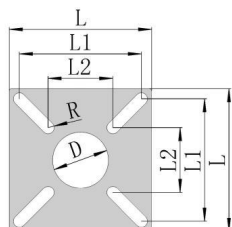
24/36/48 Liter

## ■ Specifications



Hopper				Material Tube Dia (inch)	Air Suction Pipe Dia. (inch)
Model	Hopper Capacity(L)	Dimensions (L*W*H) mm	Weight(kg)		
S3	3	240*313*350	6.3	1.5	1.5
SV3		216*310*543	6.5		
S6	6	297*385*429	8	1.5	1.5
SV6		282*340*578	8.3		
S12	12	297*382*565	9	1.5/2	1.5/2
SV12		324*391*708	9.3		
S24	24	355*465*675	13.8	2	2
S36	36	394*504*804	17.8	2/2.5	2/2.5
S48	48	394*504*930	20.8	2.5	2.5
S96	96	464*543*1205	23.8	2/2.5/3	2/2.5/3

## ■ V-glass Vision Type Base Mounting Size



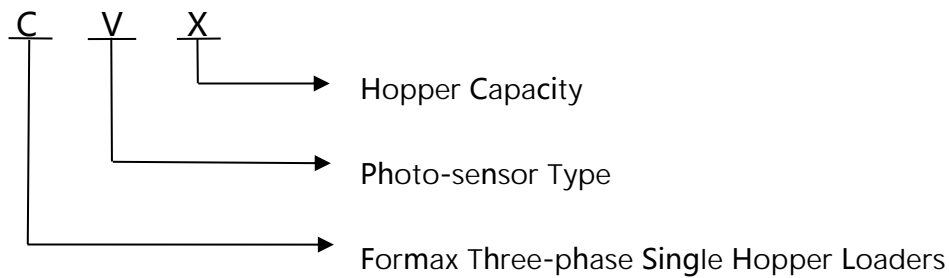
BASE

Model	L ( mm )	L1(mm)	L2(mm)	D(mm)	R(mm)
SV3	140	120	76.5	55	6.5
SV6	140	120	76.5	55	6.5
SV12	190	170	90	80	6.5



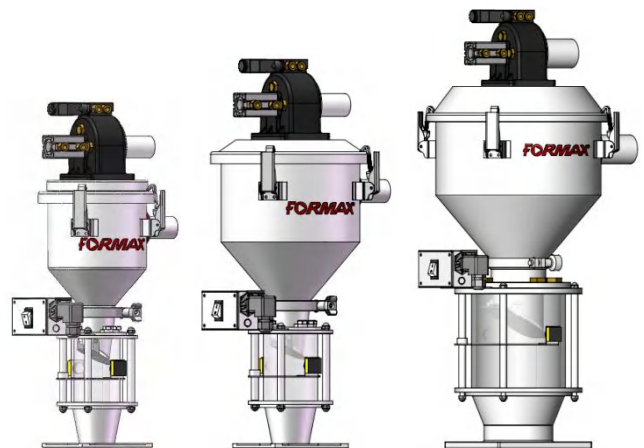
# C Type Series Hopper Loaders

## ■ Coding Principle



## ■ Features

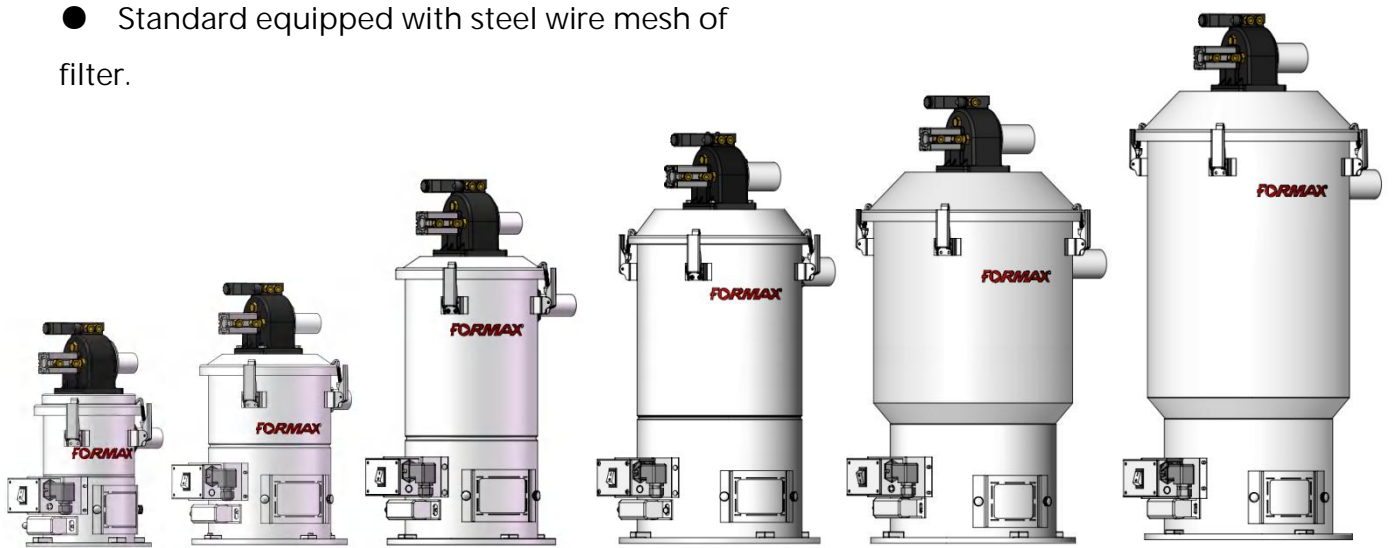
- This series of products is mainly used for SHY-CP3 / CP6 / CP12 and central hopper loader.
- C type hopper loader suitable for installation in Formax drying hopper, storage tanks or other containers.
- C-V type equipped with glass vision, suitable for installation in the inlet of molding machine, can guarantee that the hopper does not lack material during the suction process.
- The hopper is made of stainless steel to ensure that raw materials are not contaminated.
- Equipped with a vacuum separation valve to effectively open and close the vacuum circuit.
- Standard equipped with steel wire mesh of filter.



CV3

CV6

CV12



C3

C6

C12

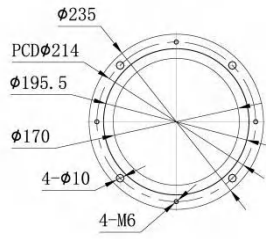
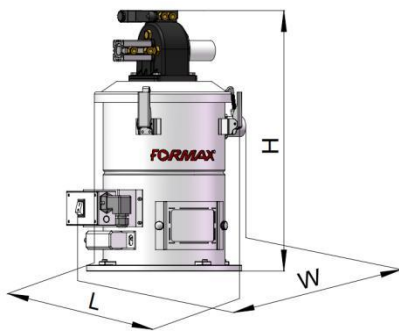
C24

C36

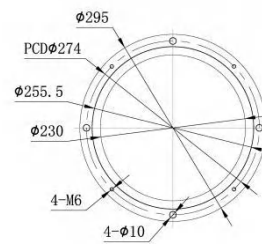
C48

# C Type Series Hopper Loaders

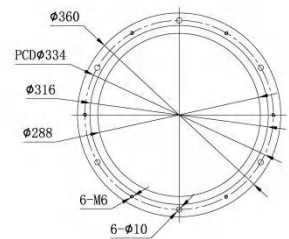
## ■ Outline Drawings



3 Liter

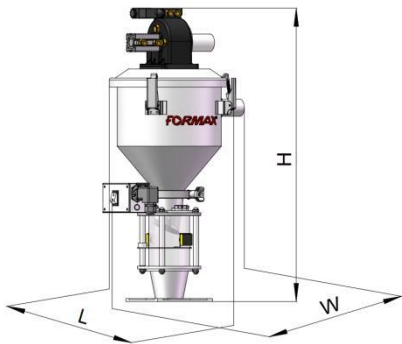


6/12 Liter



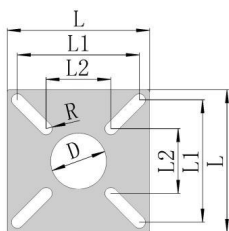
24/36/48 Liter

## ■ Specifications



Hopper				Material Tube Dia (inch)	Air Suction Pipe Dia. (inch)
Model	Hopper Capacity(L)	Dimensions (L*W*H) mm	Weight(kg)		
C3	3	248*290*420	6.5	1.5	1.5
CV3		250*287*597	6.7		
C6	6	295*349*493	8.3	1.5	1.5
CV6		280*316*647	8.5		
C12	12	295*349*639	9	1.5/2	1.5/2
CV12		324*372*716	9.5		
C24	24	324*439*726	15	2	2
C36	36	394*476*870	18	2/2.5	2/2.5
C48	48	394*476*995	21	2.5	2.5
C96	96	464*504*1235	24	2/2.5/3	2/2.5/3

## ■ V-glass Vision Type Base Mounting Size

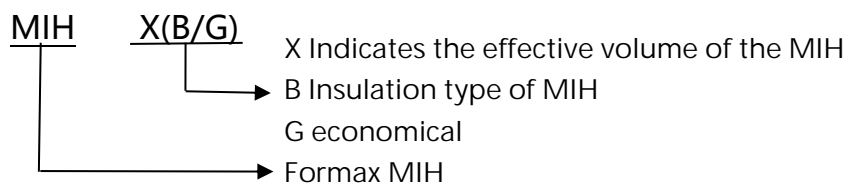


Base

Model	L (mm)	L1(mm)	L2(mm)	D(mm)	R(mm)
CV3	140	120	76.5	55	6.5
CV6	140	120	76.5	55	6.5
CV12	190	170	90	80	6.5

# MIHMIH Series Intermediate Hoppers

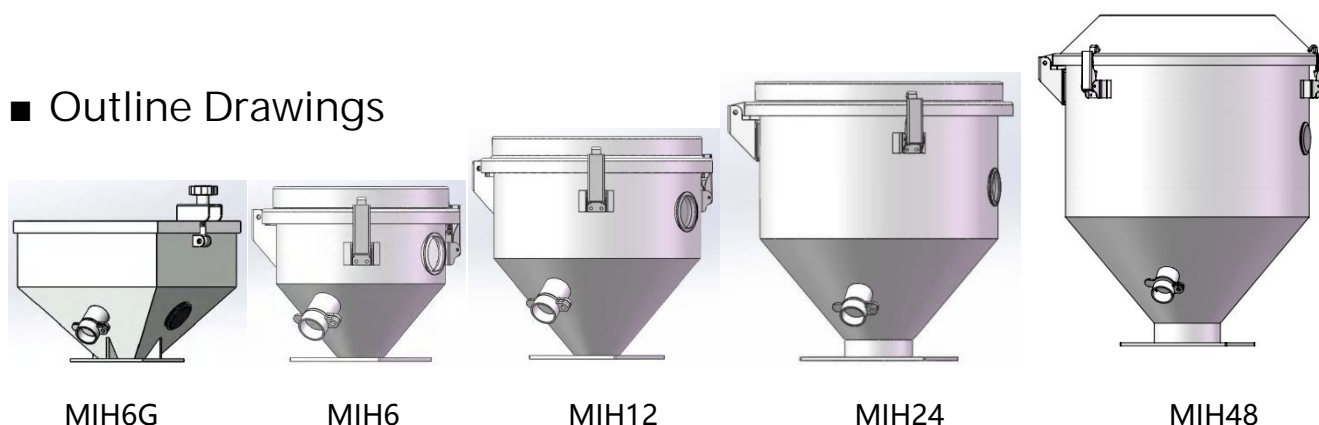
## ■ Coding Principle



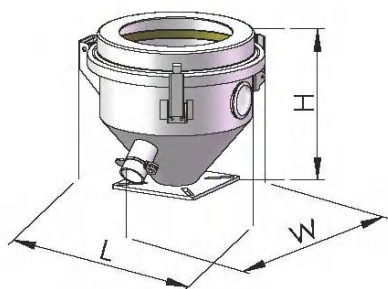
## ■ Features

- MIH & MIH-B mainly used with all Formax series hopper loaders.
- MIHG suitable for installation in SG type series hopper loaders.
- MIH-B insulation type can guarantee that the raw materials temperature drop does not exceed 30 degrees C within 30 minutes.
- MIH & MIH-B made of stainless steel to ensure raw materials are not contaminated, With window and discharge port.
- Full hinge and buckle hook to fix the top cover, so that the top hopper loaders can be opened and saved when it is refueling, safe and fast.

## ■ Outline Drawings

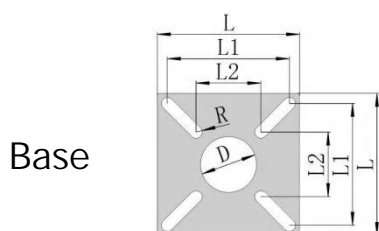


## ■ Specifications



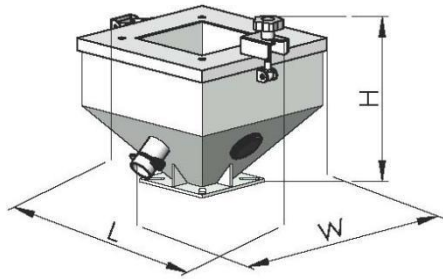
Model	Hopper Capacity(L)	Dimensions(L*W*H)mm	Weight(kg)
MIH3	3	230*210*230	2.5
MIH6	6	290*276*234	3.7
MIH12	12	352*330*312	5.2
MIH24	24	422*394*409	6.7
MIH48	48	506*464*532	8.7

## ■ Base Mounting Size



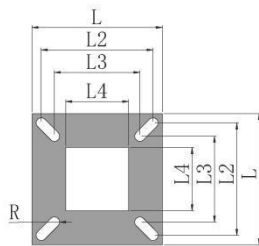
Model	L ( mm )	L1(mm)	L2(mm)	D(mm)	R(mm)
MIH3	140	120	70	57	5
MIH6	140	120	70	57	5
MIH12	140	120	70	57	5
MIH24	140	120	90	52	5
MIH48	190	170	100	52	5

## ■ Specifications



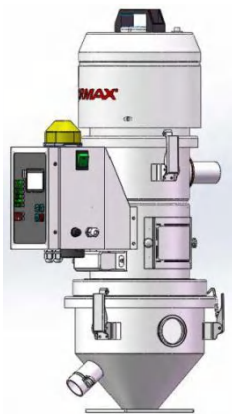
Model	Hopper Capacity(L)	Dimensions (L*W*H)mm	Weight(kg)
MIH6G	6	355*280*295	5

## ■ Base Mounting Size

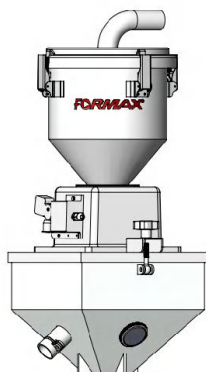


Model	L(mm)	L1(mm)	L2(mm)	L3(mm)	R(mm)
MIH6G	140	120	90	67	5.5

## ■ MIH Matching Hopper Loaders Drawing



E3+MIH6



S6G+MIH6G

## ■ Specifications

Model	Hopper Loaders	Optional (Hopper Loaders)
MIH3	3	
MIH6	3/6	3
MIH12	6/12	3
MIH24	24/36	3/6/12
MIH48	24/36/48	All series

## ■ Specifications

Model	Hopper Loaders	Optional (Hopper Loaders)
MIH6G	3G/6G/12G/24G	